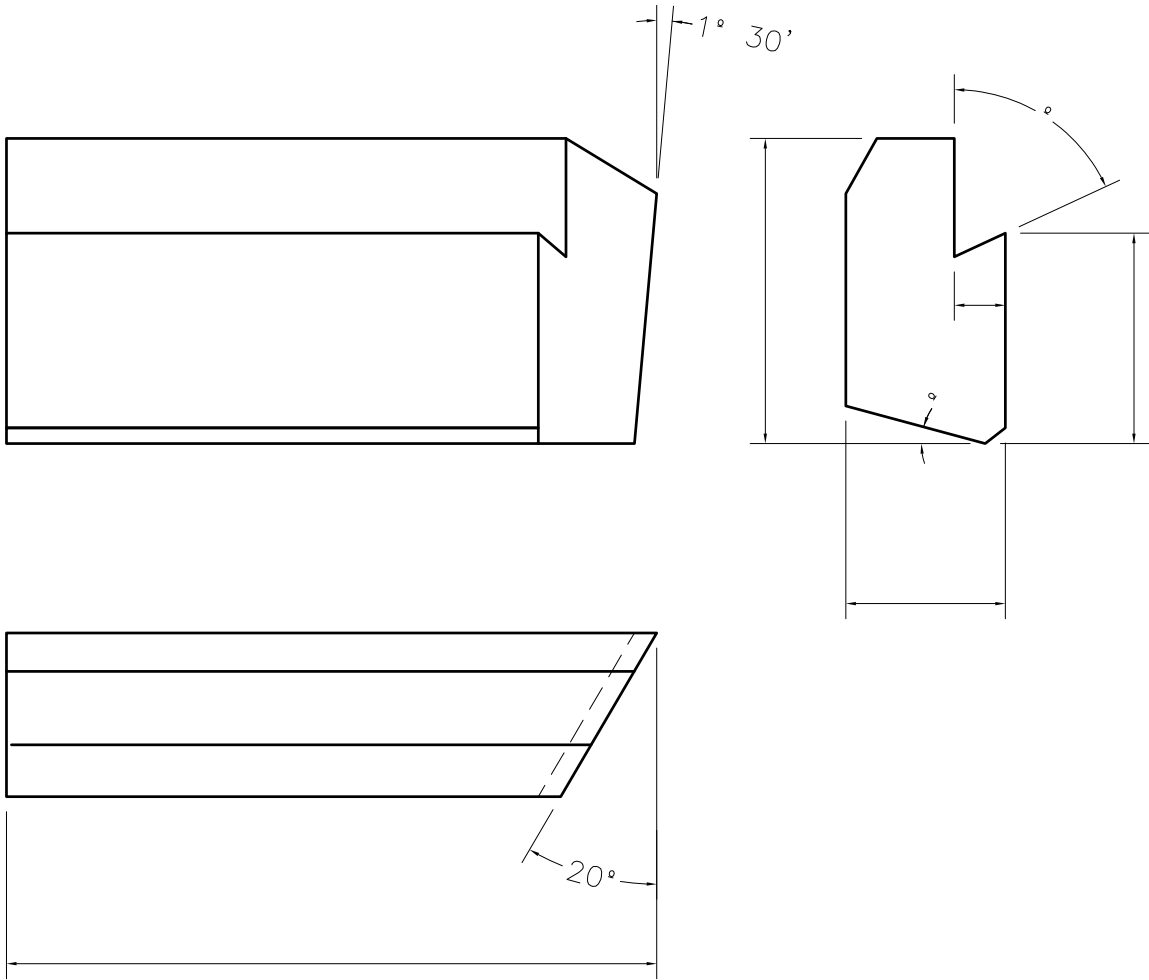
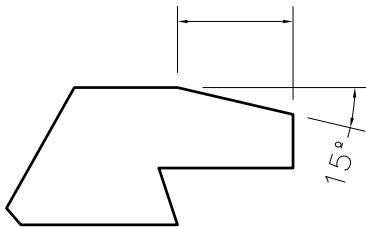


CHASER DIE SIZE

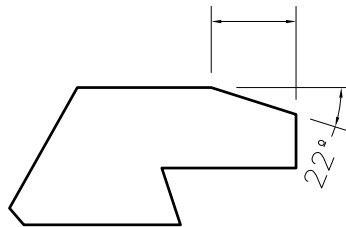
THREADS PER INCH



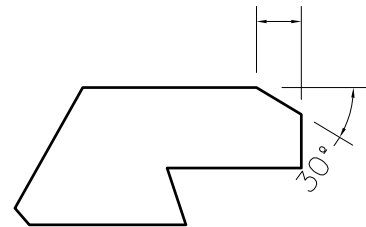
STANDARD LONG
DROP TOOTH



STANDARD MEDIUM
DROP TOOTH



STANDARD SHORT
DROP TOOTH



	Date	Rev.	Date	Responsible
Own by:				
Checked by:				
Approved by:				
RfQ:				
P.O.#:				

Surface Treatment :

