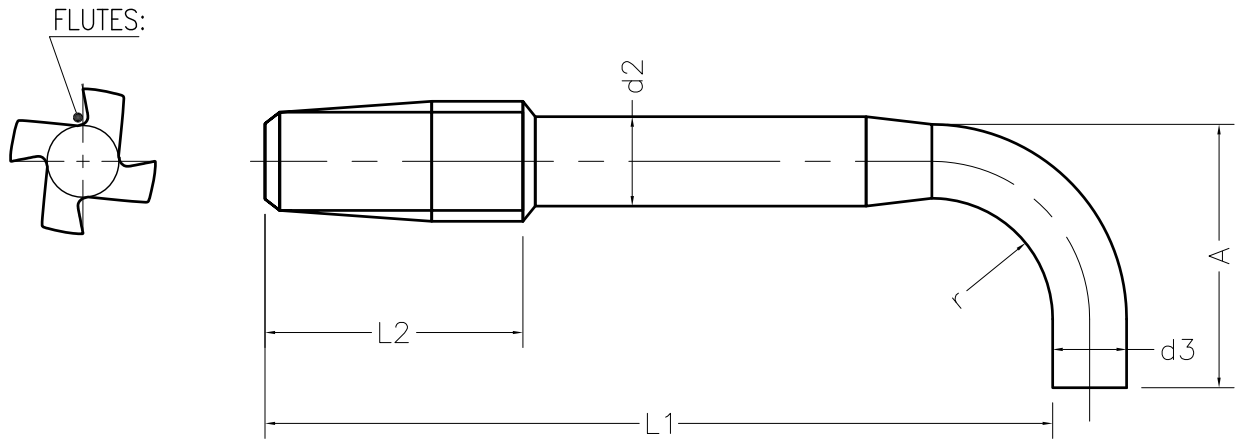


# BENT SHANK TAP




Surface treatment:

Type: BST

- TiAl coating
- Steam coating
- Tin coating
- Other coating

No.	Tap Size		L1	L2	∅d2	∅d3	A	r	Machine
1									
2									
3									
4									
5									
6									

	Date	Dwg No.	Rev.	Date	Responsible
Own by :					
Checked by :		Scale :			
Approved by :					
Material	HRC	Surface Treatment :			
.....	.....				
Description : .....		 www.sctools.net			