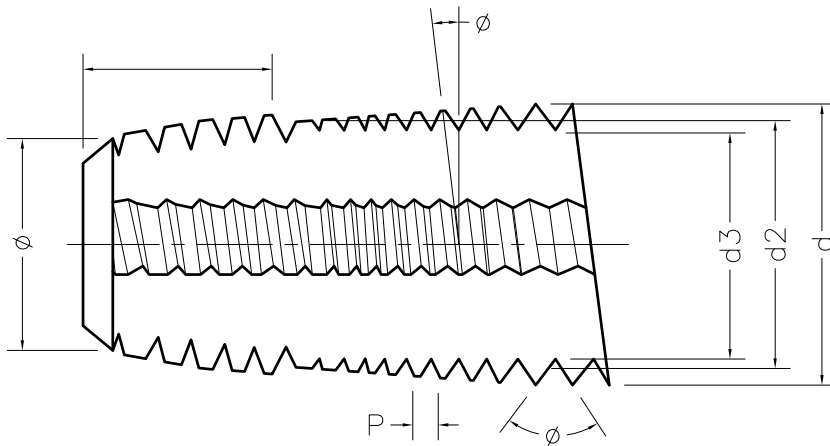
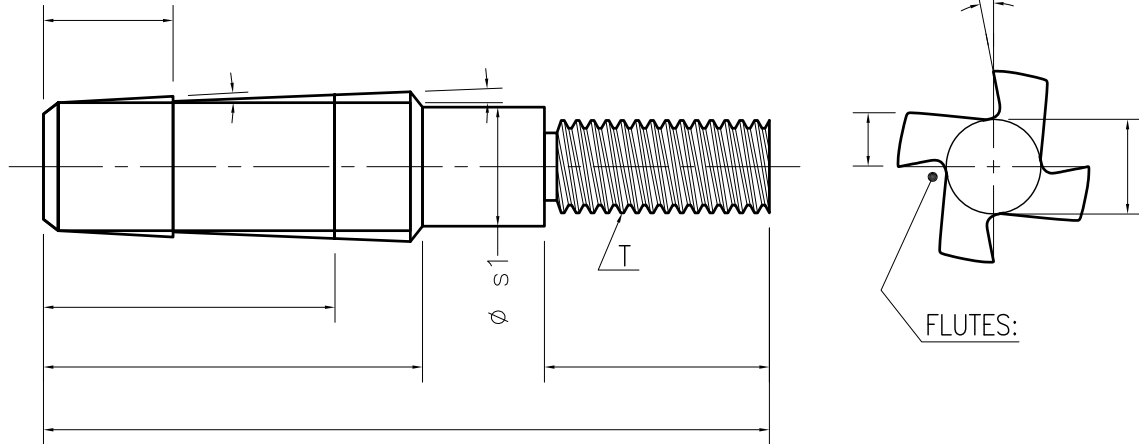



NUT TAP

Type AH-Tandem



Shank		Thread		Date	
$\phi s1$		ϕd :		Own by:	
$\phi s2$		$\phi d2$:		Checked by:	
		$\phi d3$:		Approved by:	
		P :		RfQ:	
		back taper :		P.O.#:	
		thread relief :		Rev.	Date
Chamber Relief				Responsible	
.....					
Material	HRC	Surface Treatment :			
.....				
Description :		 www.sctools.net			