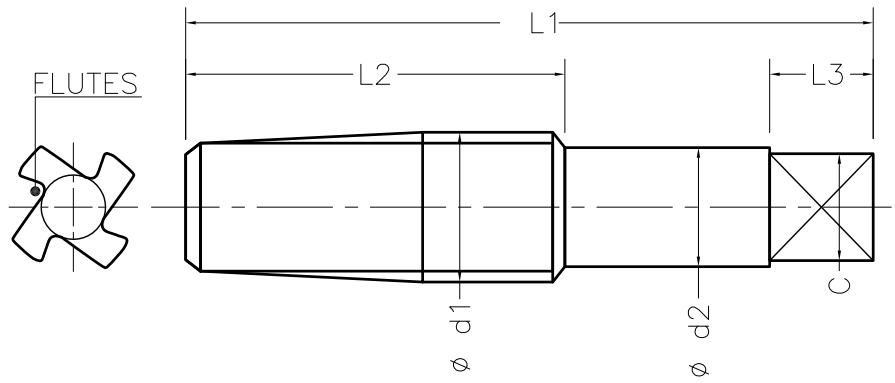



MACHINE TAP


Surface treatment:

- TiAl coating
- Steam coating
- Tin coating
- Other coating



Machine Tap

Tap Size	d1	FLUTES 	L1	L2	L3	d2	C

	Date	Dwg No.	Rev.	Date	Responsible
Own by :		Scale :			
Checked by :					
Approved by :					
Material	HRC	Surface Treatment :			
.....				
Description :		 www.sctools.net			