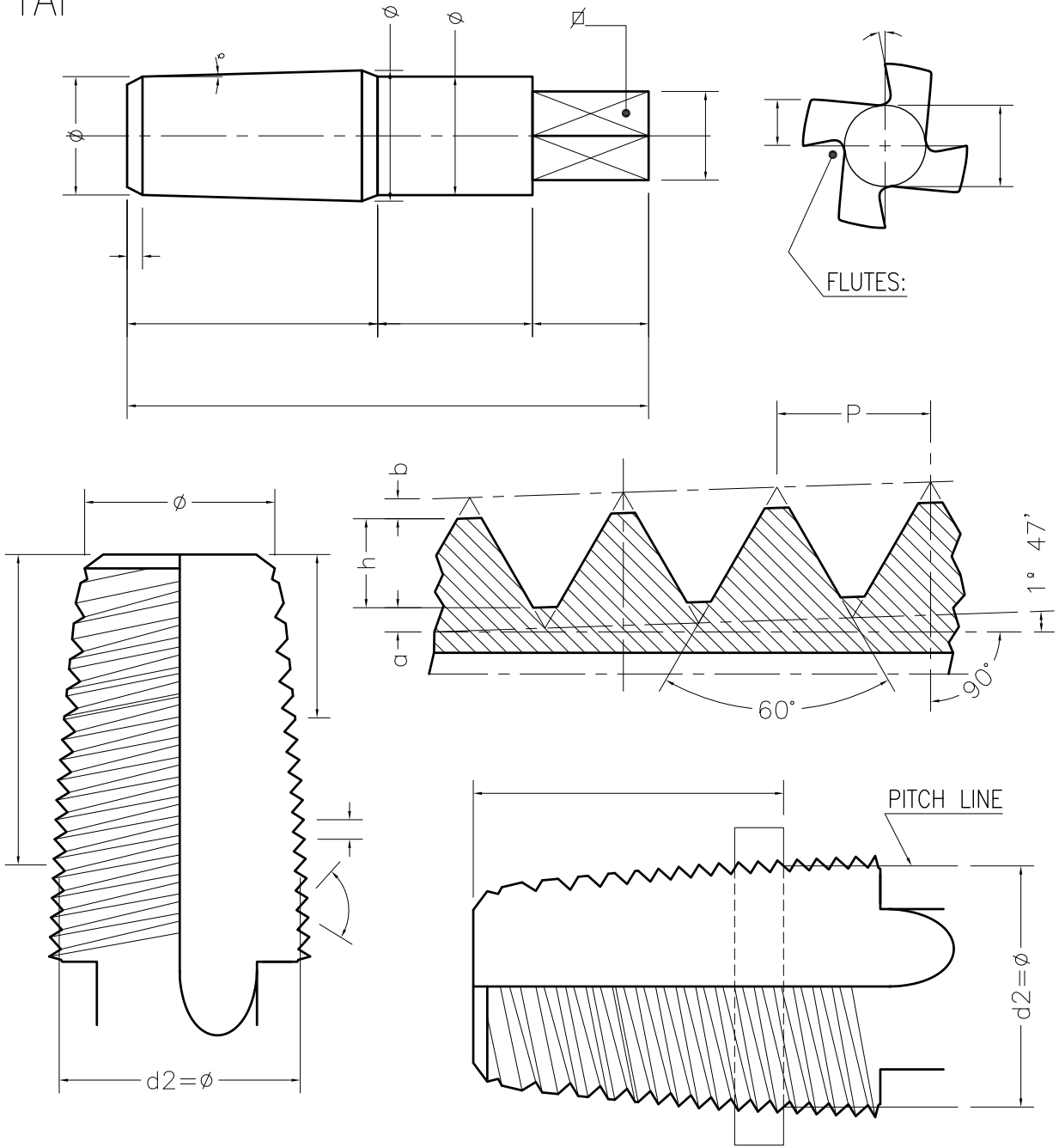



TAP



Shank		Thread	Rev.	Date	Responsible
ϕ					
Chamber Relief		ϕ d2 : P : h : a : b : thread relief :			
.....					
Material	HRC		Surface Treatment :		
.....				
Description :			 www.sctools.net		